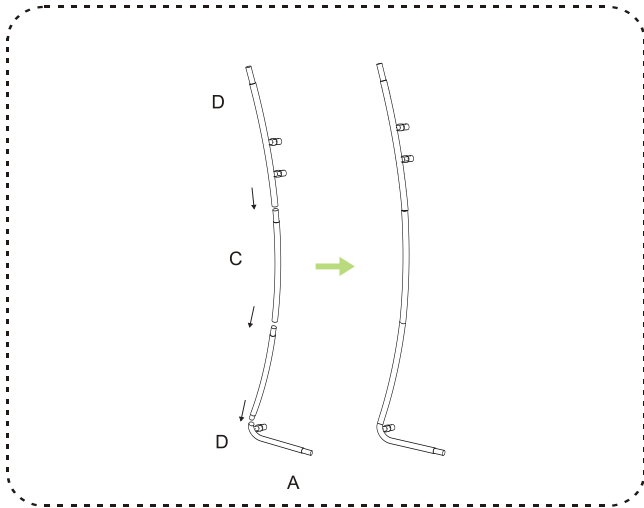
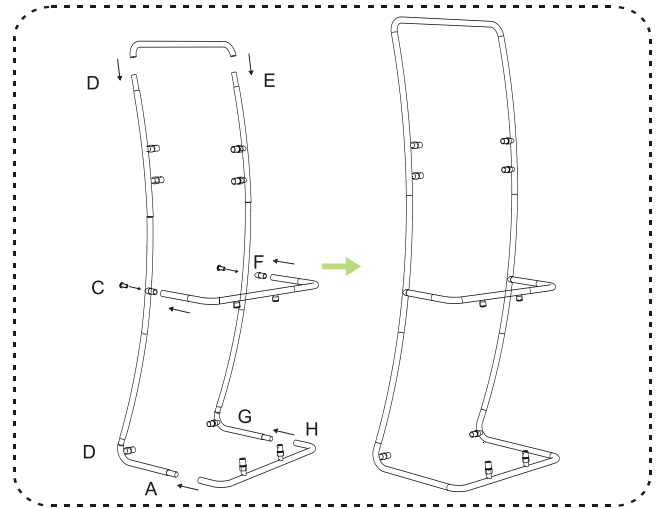


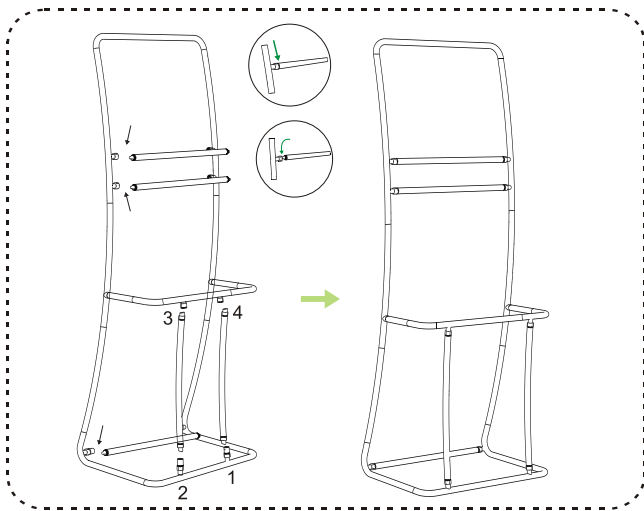
# PROMOTIONAL MONITOR COUNTER



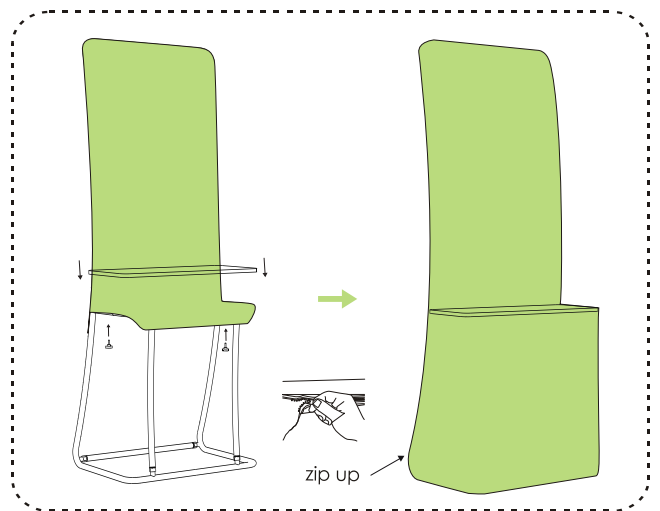
1.To connector the side poles according to the labeling



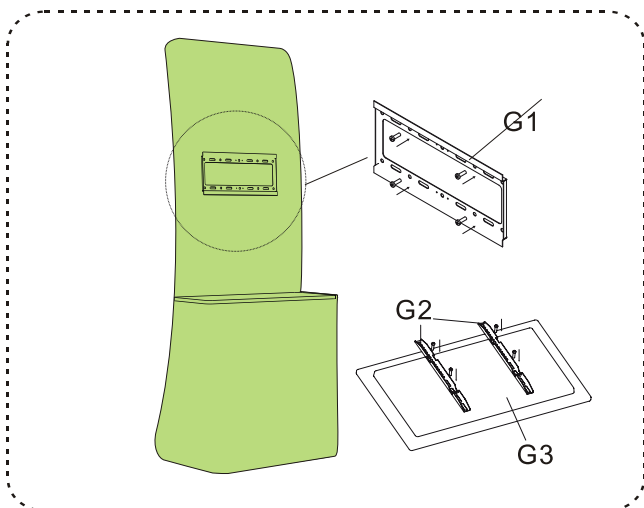
2.To install the top, middle and bottom tube



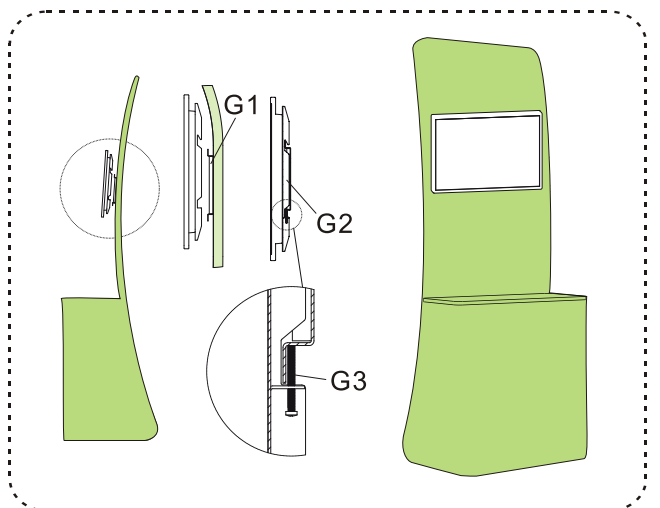
3.To install middle cross bar and the bottom upright tubes



4.Wrap up the frame with the graphic from up to down ,then zip up



5.To use screws to fix the monitor holder frame onto the stand then install the upright bar on the back of monitor



6.Afterwards put whole monitor onto the stand and fasten by using screw #G3