

WALLBOX ARCH 16ft

Introducing the Wallbox Arch 16ft., a masterfully designed showcase that seamlessly combines elegance and functionality. Crafted with a robust 30mm aluminum tube frame, this archway exhibit is a beacon of sophistication, commanding attention at every event.

Customization takes center stage with the Wallbox Arch, featuring custom printed dye sublimated graphics that bring your brand's identity to life. The graphics are expertly finished with a pillowcase-style presentation, showcasing precision and attention to detail, while the #10 zipper closure ensures a polished and professional look.

Designed to be a versatile focal point, the Wallbox Arch is perfect for a myriad of settings, from event entrances and tradeshow to exhibitions, start/finish lines, concerts, and other events. Its impressive dimensions of 16 feet in width, 11 feet in height, and 2 feet in depth create a captivating structure that leaves a lasting impression.

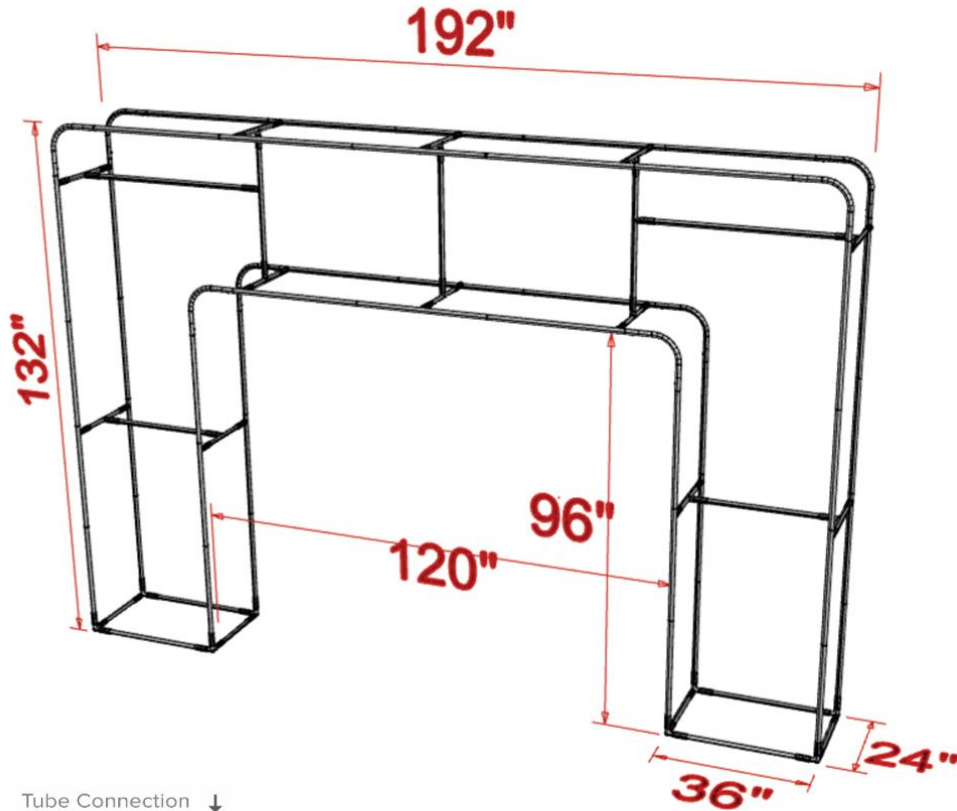
The strategically positioned 10-foot wide by 8-foot tall opening in the middle adds a dynamic element to the arch, creating a welcoming passage that beckons attendees to explore what lies beyond. Assembling the Wallbox Arch is a breeze, thanks to its tool-free assembly and spring push-button connection, allowing you to focus on the success of your event rather than the setup.

For added convenience, the Wallbox Arch comes complete with a travel bag, facilitating easy transportation and storage between events. Elevate your brand's presence and make a powerful statement with the Wallbox Arch 16ft. — where style meets functionality, leaving a lasting impression on your audience.

*Recommended for indoor use only



OVERVIEW



Tube Connection

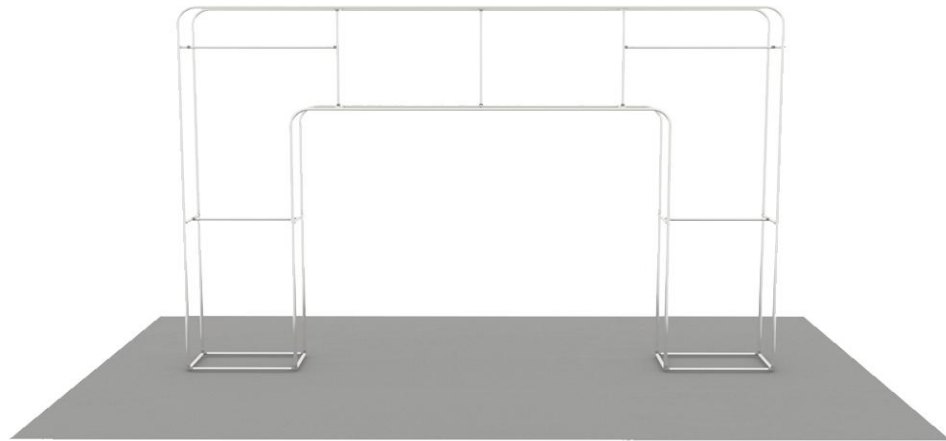


Press button & insert swaged end into receiving end of tubing



Plastic Connector

- Large tubular archway that is perfect for a myriad of settings, from event entrances and tradeshows to exhibitions, start/finish lines, concerts, and events.
- Recommended for indoor use only
- All frames are made in house at our PFC location
- Constructed of 30mm anodized silver aluminum tubing with plastic connectors
- Tool free frame assembly via push button connection
- Only available in 1 size
- Displays dye sublimated stretch fabric graphics with pillowcase style finishing
- Available as Graphic Package, Graphic Only, and Hardware only
- Includes travel bag



SKUs

SKUs:

- WB-ARCH16-GP- Graphic Package
- WB-ARCH16-HO - Hardware Only
- WB-ARCH16-GO - Graphic Only



Travel Bag
SKU: WB-BAG

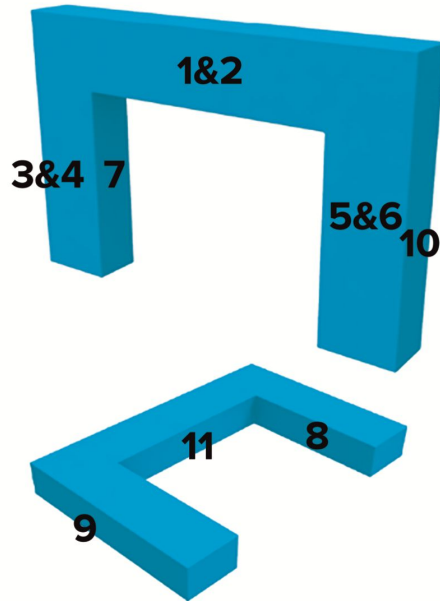
HARDWARE PRODUCTION

- All Wallbox Arch hardware is produced in house at our PFC location
- We are able to produce tube frames in house with 30mm and 34mm diameter tubing
- Our production process includes:
 - Tube cutting
 - 90° tube bending
 - Tube reducing/swaging (for tube connection)
 - Drilling/punching (for accessories and spring buttons)
 - Chamfering (cleaning up tube edges after cutting)
- Custom sizing and configurations are/will be available



TEMPLATES

TEMPLATE GUIDE



- 1. Top Header Front
- 2. Top Header Back
- 3. Left Column Front
- 4. Left Column Back
- 5. Right Column Front
- 6. Right Column Back

- 7. Left Column Inner
- 8. Right Column Inner
- 9. Left Column Outer
- 10. Right Column Outer
- 11. Header Bottom

NUMBERS ON THE IMAGE ABOVE INDICATE THE TEMPLATE LOCATION # ON FRAME
PLEASE ADD TEMPLATE LOCATION # TO END OF FILENAME. EX: "WB-ARCH16-1"

- A template guide is included with the templates that indicates which template corresponds to each location on the frame
- Continuous graphics may not line up perfectly
- This is a manually proofed product
- Top and bottom off Wallbox Arch graphics are not printed and are blank black fabric (fabric color cannot be changed)

GRAPHIC INFO

- **Material:** Stretch Fabric (FAB-STRETCH) for printed areas and stock black fabric for top and bottom (INV-BACFAB-BLK)
- **Print Process:** Paper Transfer Dye Sub
- **Finishing:** Pillowcase graphic finishing with white #10 zipper closure across the top of the graphic. Top of arch and bottom of feet are blank white stretch fabric
- **Graphic Options:**
 - Double Sided Graphics Only
- **Production Time:** See product page for current lead times.
- **Locations:** See product page for location availability



Stretch - OC

Thickness	Printing Process	Finishing	Maximum Media Width
8.08 oz	Dye Sublimation Paper Transfer	Soft Look Bright Colors	94"

SHIPPING & WARRANTY



Shipping

- Check Product Page for Location Availability per Option

Warranty

- 1 year warranty on graphics
- Lifetime warranty on hardware

Returns

- RMA's will be shipped back to CA or PA

Shipping Dimensions

- See Spec Sheets for Shipping Info