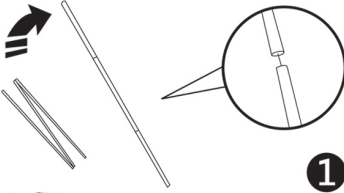
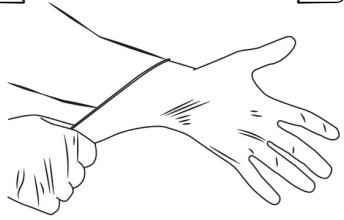
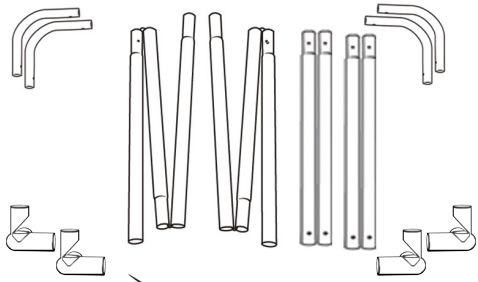
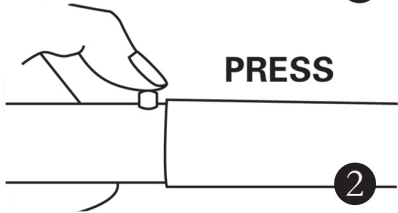


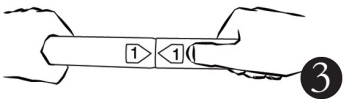
3D Wall Box Instruction



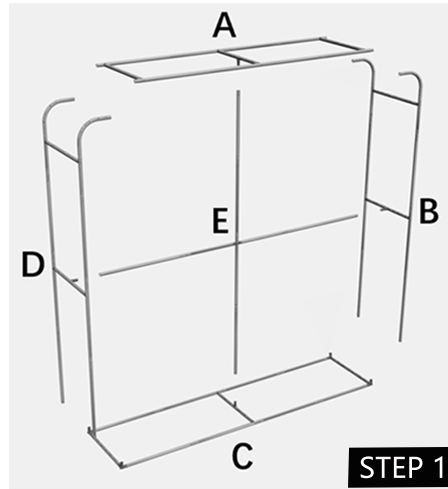
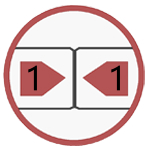
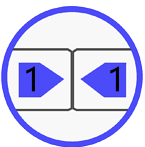
1



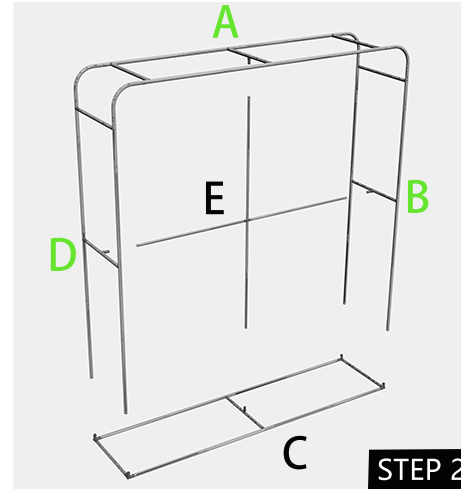
2



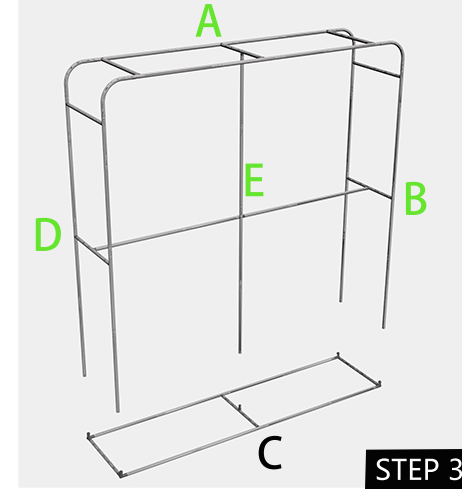
3



STEP 1



STEP 2



STEP 3

Instruction Steps:

1. Assemble tubes into part A, B, C, D, E

BLUE no.1-4 tubes = A

BLUE no.5-8 tubes = B

BLUE no.9-16 tubes = C

BLUE no.17-20 tubes = D

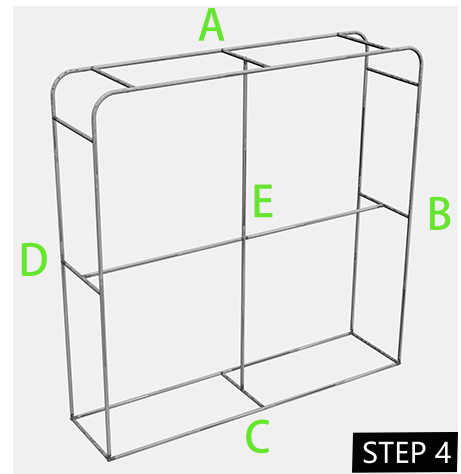
RED no.9-16 tubes = E

2. Firstly, connect the B & D onto A

3. Secondly, connect the top and 2 sides of E onto ABD

4. Connect the BOTTOM C part onto ABDE last at the same time.

5. Put on graphic and zip it.



STEP 4



STEP 5



CAUTION:

PLEASE READ THE INSTRUCTIONS BEFORE INSTALLING PRODUCT