

## I. Note on Waste Disposal:



In accordance with the European WEEE directive, electrical and electronic equipment must not be disposed with consumer waste. The consumer is committed by law to deposit electrical and electronic devices to public collecting for free. Particulars are regulated in national right.  
The symbol on the product, in the manual or at the packaging alludes to these terms. With this kind of application of used devices you achieve an important share to environmental protection.



### ATTENTION!

Please read the user manual completely and carefully. It is part of the product and includes important information for proper installation and use. Keep this guide to have it available any time.

## Contents

|  |   |
|--|---|
| A. Descriptions and Functions.....               | 2 |
| B. Intended Use.....                             | 2 |
| C. Package Content.....                          | 2 |
| D. Safety Instructions.....                      | 2 |
| E. Connecting and Operating.....                 | 3 |
| F. Care, Maintenance, Storage and Transport..... | 6 |
| G. Specifications.....                           | 6 |
| H. Warranty and Liability.....                   | 6 |
| I. Note on Waste Disposal.....                   | 7 |

## F. Care, Maintenance, Storage and Transport:



### WARNING!

Please follow these instructions to avoid risk of electric shock and/or short circuit.

- The product is self-service, i.e. users do not require assistance to recharge their device.
- Always disconnect the power cord from the main power outlet first.
- Do not clean the product until the unit is powered off and unplugged from the main power outlet. Once unplugged, clean using a dry or slightly damp cloth. Avoid using cleaning products and do not allow liquid to enter the device.
- Do not install in a location where a person could potentially trip on the power cord or the product.
- During care, maintenance, storage and/or transport, avoid places that are wet, humid or have a high temperature.
- Carefully read and abide by the Safety Instructions for care, maintenance, storage and transport.
- We recommend using the original packaging for transportation to protect the product from dust and humidity.

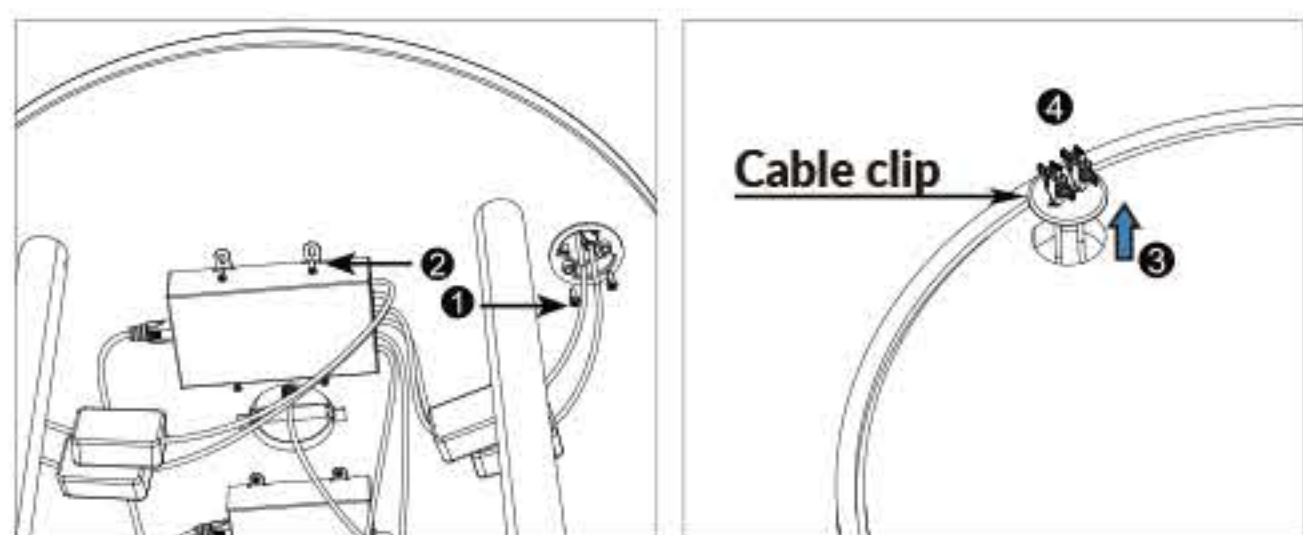
## G. Specifications :

|        |                             |
|--------|-----------------------------|
| Model  | CT-13Q/14Q                  |
| Input  | AC: 110-240V 50/60Hz        |
| Output | DC: 5V/2.1A(max) x3 Qi: 10W |

## H. Warranty and Liability:

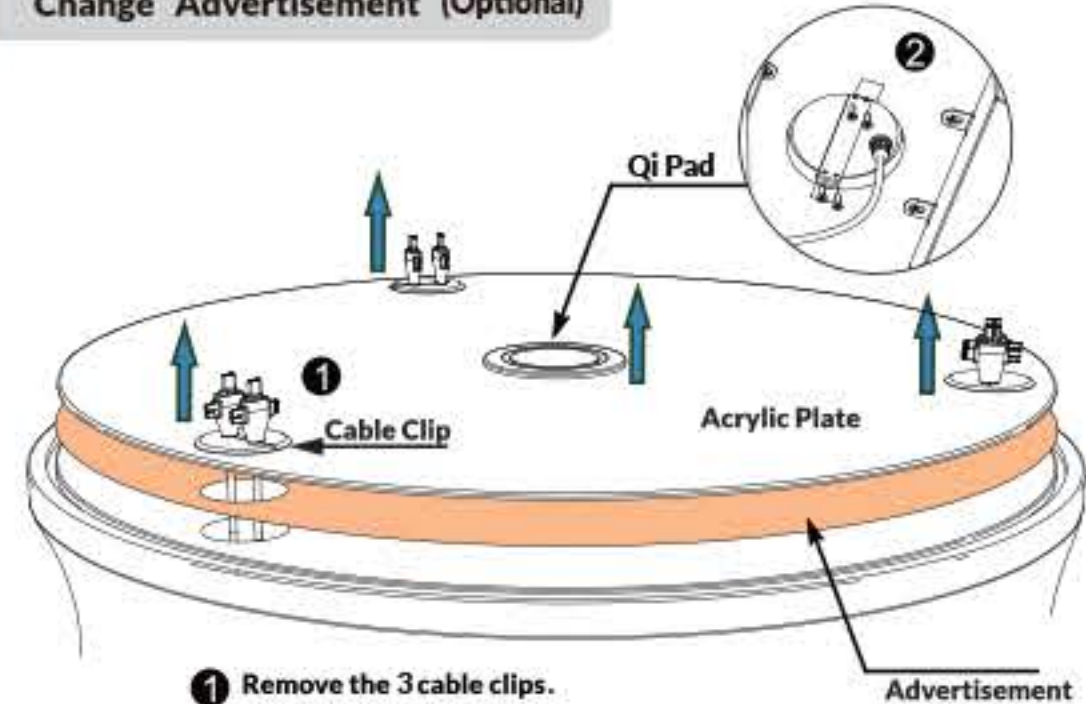
- We grant a conditional 1 year warranty for this device from the date of purchase. Consumable parts (charging cable) carry 6 months warranty.
- The Warranty does not cover accidental damage or vandalism caused to the product.
- The Warranty also does not cover the charging cables. We have no control over how users treat the cables once the product is installed on your premises. Replacement cables can be purchased at an additional cost.
- If any fault or damage is detected on your device, please contact your dealer and provide your sales invoice and serial number of the product and batteries (if any) as evidence of the purchase, if necessary. Your dealer will repair the fault either on site or send the device to the manufacturer. You make the work of our technicians considerably easier, describing the possible faults in detail. If your dealer cannot be contacted, you can also contact us directly.
- We are not liable for damage to persons or property caused by improper installation or operation not described in this guide. Any alteration and/or modification of the product or its accessories immediately voids the warranty.
- Any use other than described in this user manual is not permitted, and causes loss of warranty, loss of guarantee, and non-liability.

## B Change Cable



- 1 Detached the cable clip by unscrewing the 2 screws.
- 2 Unscrew the 2 screws on the Power Box cable cover.
- 3 Remove cables from cable clip.
- 4 Change cable.

## C Change Advertisement (Optional)



- 1 Remove the 3 cable clips.
- 2 Unscrew the 4 screws and remove Qi pad.
- 3 Change Advertisement.

## A. Descriptions and Functions:

Your CT-13Q/14Q charging table charges 7 devices simultaneously. It works with all Apple, Android and other popular devices.

## B. Intended Use:

This product is for indoor use only in a dry area. Do not position in any location near water. Positioning this product outside, or inside in a location near water may cause damage or injury to persons or property. Please ensure you carefully read and abide by the 'Safety Instructions'.

## C. Package Content:

1pc Table Top  
1pc Base Plate  
1pc Power Cord  
1pc Manual  
8pcs Poles  
1pc Carrying Bag  
1pc Tension Cloth

**HAND WASH ONLY!**  
No machine wash! No bleach!

## D. Safety Instructions:



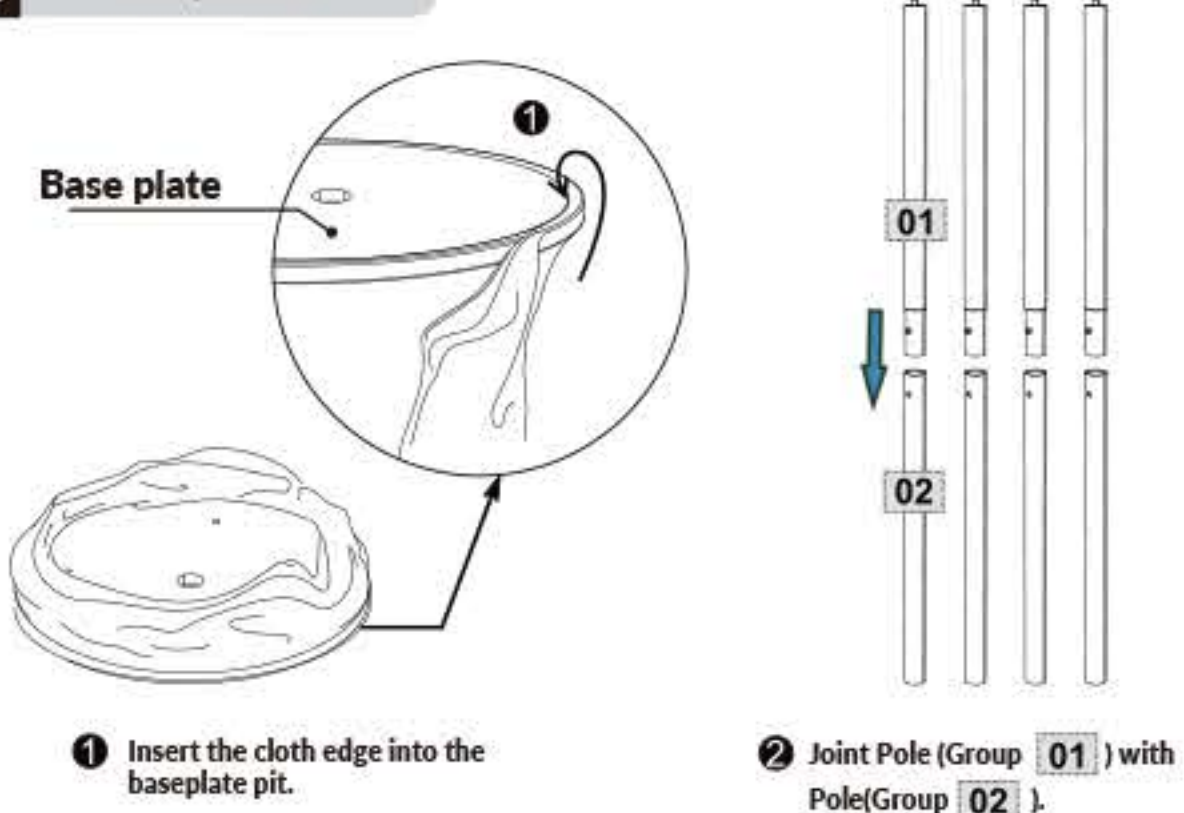
### ATTENTION!

We recommend a skilled electrician is used to assemble and disassemble the housing of the product to avoid risk of electric shock or electrical damage to the product.

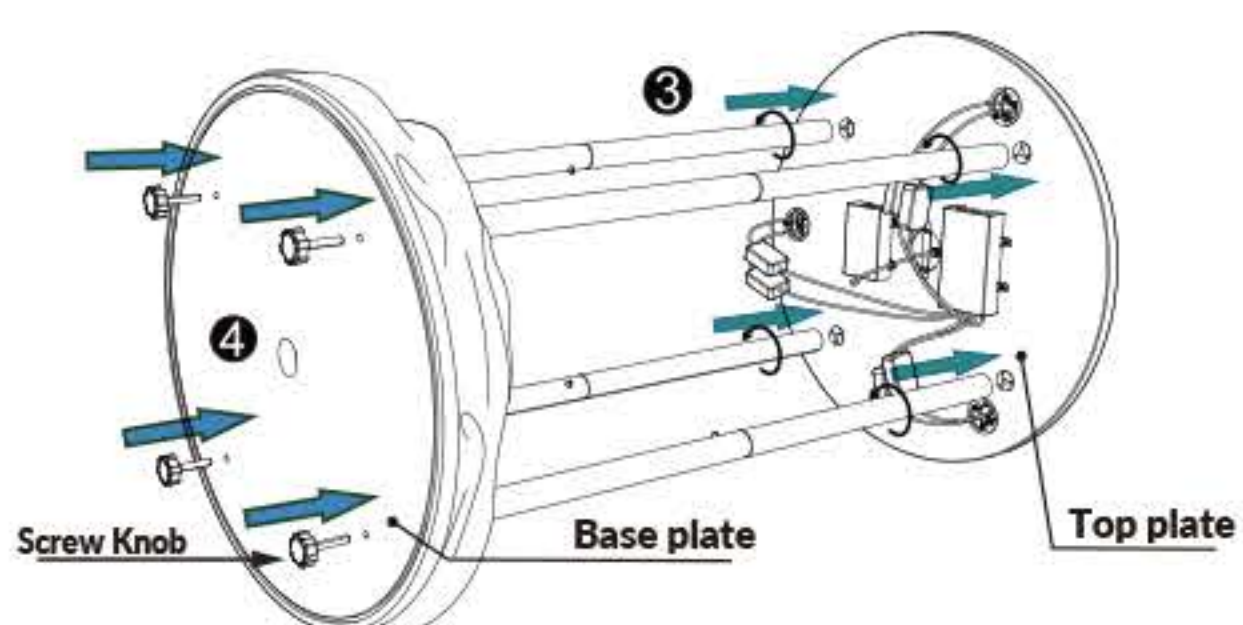
- This product is not a toy and should not be used by children at any time. It contains small parts which can be swallowed and cause serious injury.
- Ensure the product is assembled and installed in a way that prevents a person tripping over the power cable or the unit falling from its location.
- Please ensure the packing materials are disposed off completely to prevent injury to children (such as box cuts or swallowing insulation materials).
- Do not install in an area with high temperature, high humidity or areas where the charging station may come into contact with water.
- Do not install near air conditioners, or in areas with excessive dust, smoke or vibration.
- Do not modify or alter the product in any way. Any unauthorized modification or alteration will immediately void the Warranty.
- Do not use the product, or any parts, if they are damaged.
- All cables and adaptors should be connected and disconnected slowly and carefully.
- Ensure suitable packaging for transport of the product based on its 'Specifications'.

## E. Connecting and Operating:

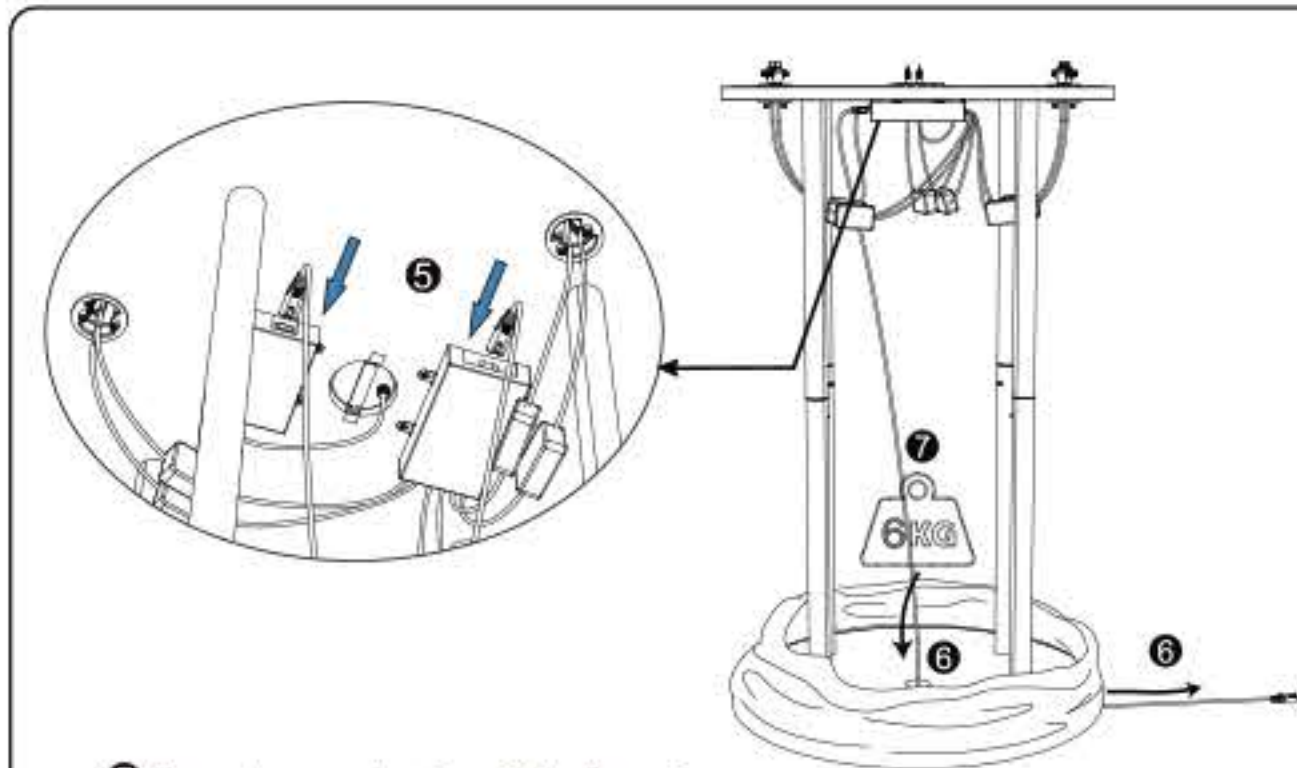
### A Setup Guide



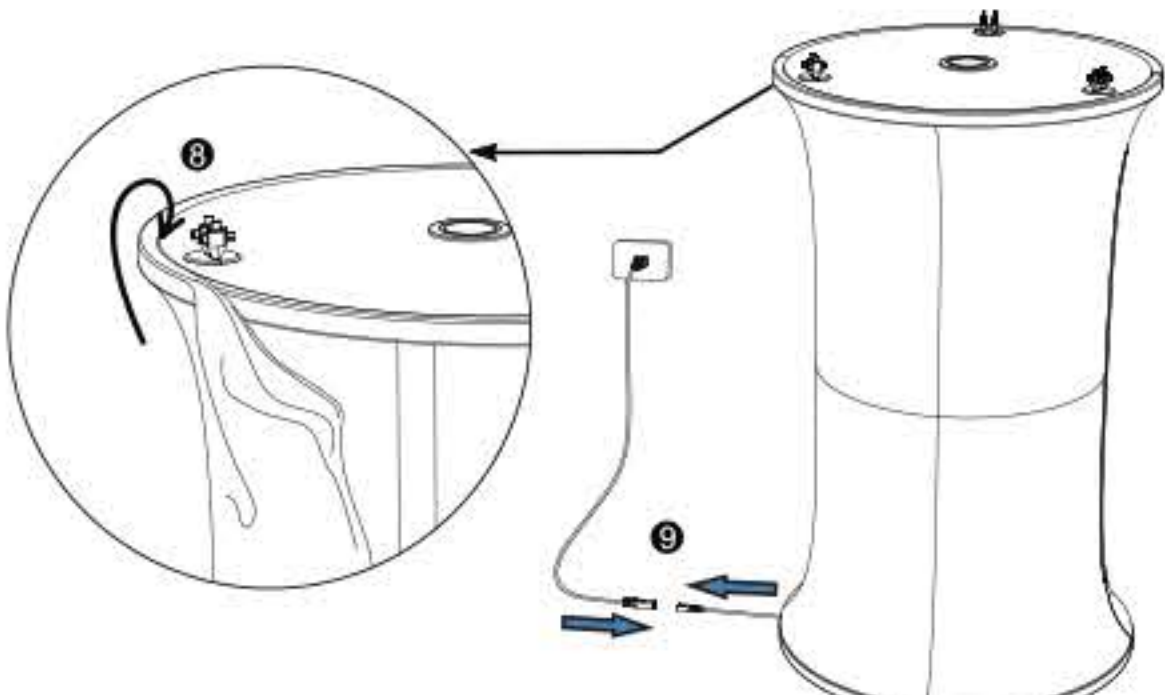
- 1 Insert the cloth edge into the baseplate pit.
- 2 Joint Pole (Group 01) with Pole (Group 02).



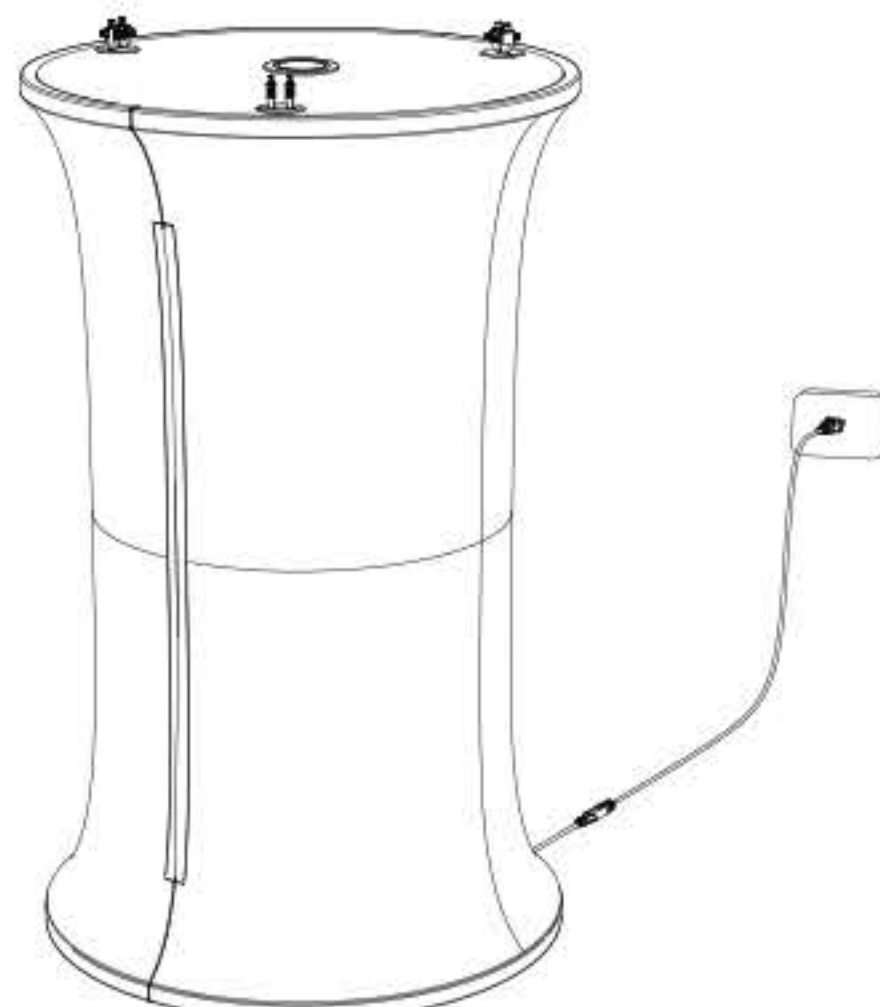
- 3 Secure tight pole onto table top.
- 4 Fix base plate on pole with screw knob X4.



- 5 Connect power extension cable to Power Box.
- 6 Pull the power extension cable out thru the bottom hole.
- 7 Place any weight of around 6 kg to enhance the stability of the table.



- 8 Insert the cloth edge into the table top pit.
- 9 Connect power.



## GYPSEY

### Portable Charging Table

Model: CT-13Q/14Q