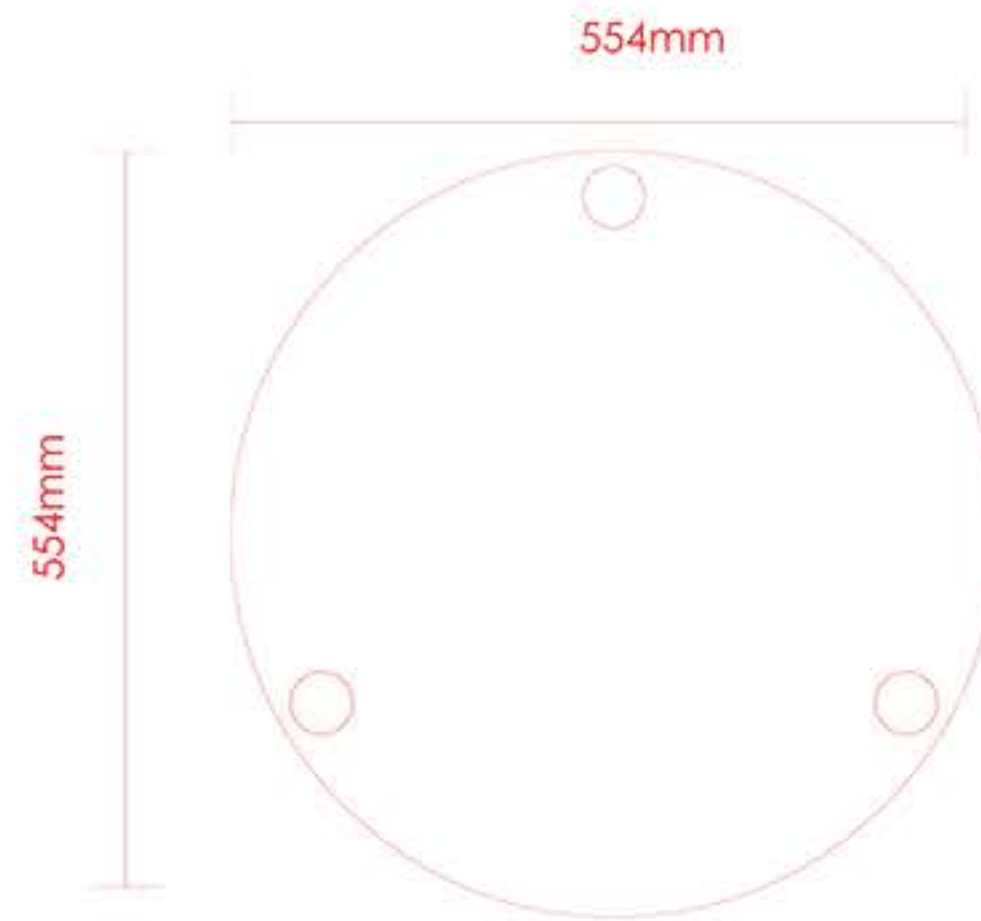
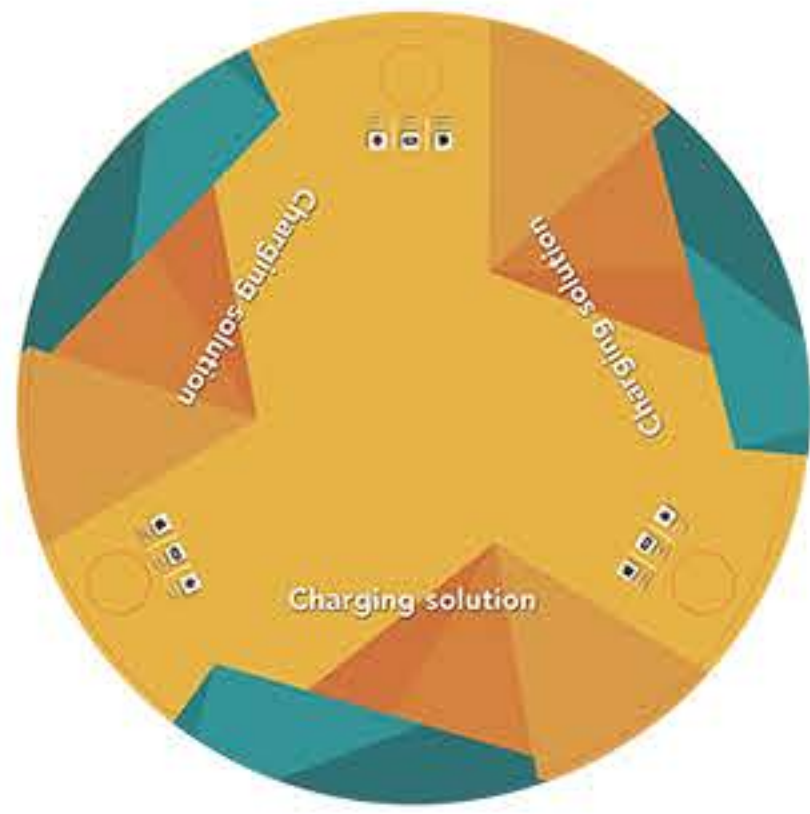


# TABLE TOP



**TRIM:** The finished size of the printed piece.

**BLEED:** Artwork should bleed (go past) a minimum of 1/4 inch over the **trim line** if you want that artwork to go all the way to the edge on the finished product.

Ensure all text is "OUTLINED" and all images are "EMBEDDED".

Fill in ALL designated areas with your artwork.

### IMPORTANT

Please remove our guidelines/instructions before submitting your files, or else they will be printed. Do not remove dieline and make sure your artwork is underneath this layer.

Please notice that the image, logo and text of finished product will slightly distorted due to the cloth's elastic characteristic.



Size with bleed:  
1880(W) x 970mm(H)  
Actual Size:  
1890 (W) x 990(H)



# TABLE BODY/WRAP



970mm

Please put main content inside this boundary

